

PANDA SERIES

FLEXIBLE AND VERSATILE FLOWPACK MACHINES



PANDA SERIES FLEXIBLE AND VERSATILE

PANDA, THE VERSATILE FLOW WRAPPING MACHINE SUITABLE TO FIT THE HIGH LEVEL OF CUSTOMIZATION REQUIRED.

100% made in Italy, Panda series is the synthesis of more than 50 years of dedication to work, combining reliability and solidity with flexibility and functionality.

Panda's main characteristics and specifications meet the needs of a wide market demand and grant high performances in packaging small and medium size products to a speed up to 300 ppm.

The variety of sealing configurations available fit for both food and non food industries, responding to the different packaging needs, from the managing of fragile products to the perishable and fresh products handling.

Combined with the automatic feeding systems offered by IMA Record Panda series fits easily into a complete process flow.



KEY FEATURES

- SUITABLE FOR A WIDE RANGE OF PRODUCTS AND PACK SIZES
- POSSIBILITY TO BE INTEGRATED INTO A COMPLETE PROCESS FLOW
- CUSTOMIZABLE SOLUTIONS TO MEET ANY SPECIFIC REQUIREMENTS
- FOOD GRADE BASIC MATERIAL AND EASY TO SANITIZE DESIGN
- WASH-DOWN VERSION AVAILABLE
- OUTPUT: UP TO 300 PPM





The Panda flow wrapper has a stainless steel structure with ergonomic design and rounded shapes to grant a high level of cleanliness. Furthermore, a totally wash-down version is also available whereas high level of hygienic standards must be observed; this is an essential condition for food products packaging environments.



PANDA SERIES BOTTOM SEAL



Top reel



Bottom sealing unit



Bakery



Chocolate &
Confectionery



Biscuits



Pizza &
Tortillas



Snacks



Pet food



Non food

The Panda flow wrapping machine in the Bottom Seal version is ideal to pack a wide range of regular small and medium size products, easy to carry. The film, directly unwound from the upper reel, is formed into a tube by the folding box, and sealed underneath by a series of sealing and driving rollers. The Panda Bottom Seal is available in multiple models, equipped with two different sealing jaws head units: the rotating jaws or the Long-Dwell.

The Panda BS RS (Bottom Seal/ Rotating Seal) can reach the speed of 300 packs per minute.

The rotating sealing jaws (single or double) is applied for high-speed packaging with simple wrapping material (even heat-shrinkable); this kind of sealing protects the product and gives the pack a good-looking aspect.

Panda BS RS models:

- PANDA BS RS
- PANDA BS RS LARGE
- PANDA BS RS OE (ref. to pages 6-7)

The Panda BS LS (Bottom Seal/ Long Seal)

is applied to pack fresh produce and food products in general thanks to the Long-Dwell sealing head that offer an hermetic packaging even with compound structure packaging materials and barrier films. This machine can reach the speed of 80 packs per minute.

The Panda BS LS is also available with MAP (Modified Atmosphere Packaging).

Panda BS LS models:

- PANDA BS LS
- PANDA BS LS OE (ref. to pages 6-7)





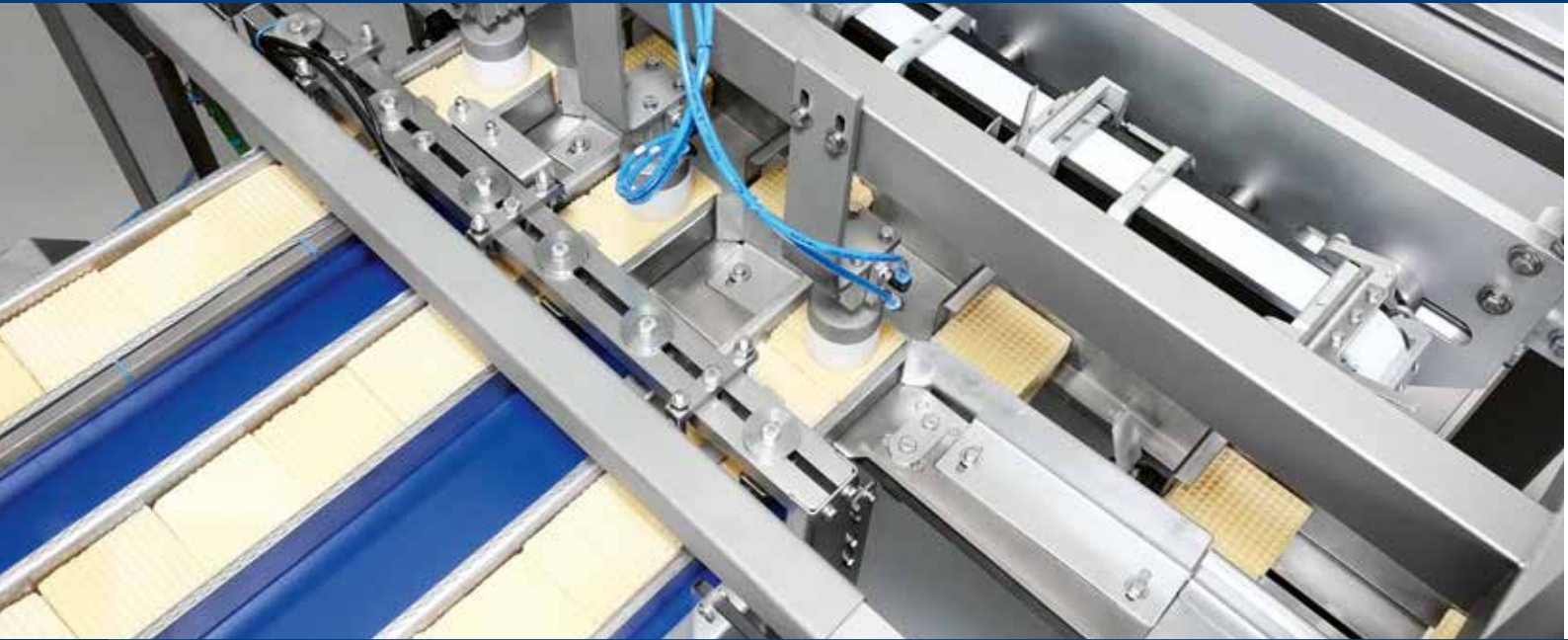
Long-Dwell



Rotating seal



PANDA SERIES BS ON EDGE



90° transfer to the infeed conveyor



Infeed chain



Overturning of the products to on edge position



Top sealing unit



Bakery



Chocolate &
Confectionery



Biscuits



Snacks

The On Edge version of the Panda Bottom Seal is applied for products, such as biscuits and crackers, that can be packed on edge.

This flow wrapper is suitable for both semi and fully automated applications in order to meet the most various needs and can be combined with the automatic feeding systems offered by IMA Record.

The On Edge version of the Panda Bottom Seal is available with two different sealing jaws head units: the rotating jaws or the Long-Dwell, applied according to the product main characteristics.



PANDA SERIES TOP SEAL



Bottom reel



Top sealing unit



Pizza & Tortillas



Meat & Poultry



Dairy



Produce



Non food

The Panda flow wrapping machine in the Top Seal version is ideal to pack a wide range of irregular and unsupported small and medium size products, difficult to be pushed. The film, directly unwound from the bottom reel, is formed into a tube by the folding box, and sealed above by a series of sealing and driving rollers.

The Panda Top Seal is available with two different sealing jaws head units: the rotating jaws or the Long-Dwell.

The Panda TS RS (Top Seal/ Rotating Seal) can reach the speed of 300 packs per minute. The rotating sealing jaws (single or double) is applied for high-speed packaging with simple wrapping material (even heat-shrinkable); this kind of sealing protects the product and gives the pack a good-looking aspect.

The Panda TS LS (Top Seal/ Long Seal) is applied to pack fresh produce and food products in general thanks to the Long-Dwell sealing head that offer an hermetic packaging even with compound structure packaging materials and barrier films. This machine can reach the speed of 80 packs per minute. The Panda TS LS is also available with MAP (Modified Atmosphere Packaging).

Panda TS models:

- PANDA TS RS
- PANDA TS LS

OPEN FRAME

Unlike the Bottom Seal version, the Panda Top Seal is locked with transparent doors in order to ensure a better and complete visibility on the machine. Moreover, the open frame grants a facilitated access in case of intervention and maintenance.

The reel mounting is separated from the machine body to be easily replaceable.





Long-Dwell



Modified atmosphere packaging available



PANDA SERIES OPTIONS

The Panda series flow wrapper can be equipped with multiple accessories to meet the most various needs.



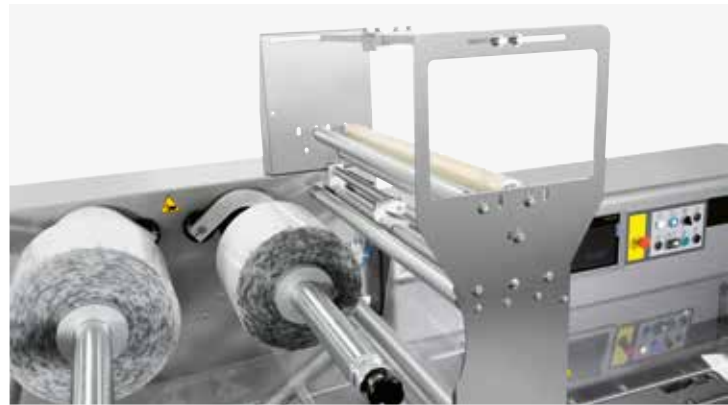
Double reel mounting with automatic film reel splicer



Surcharge for reel shaft with pneumatic locking



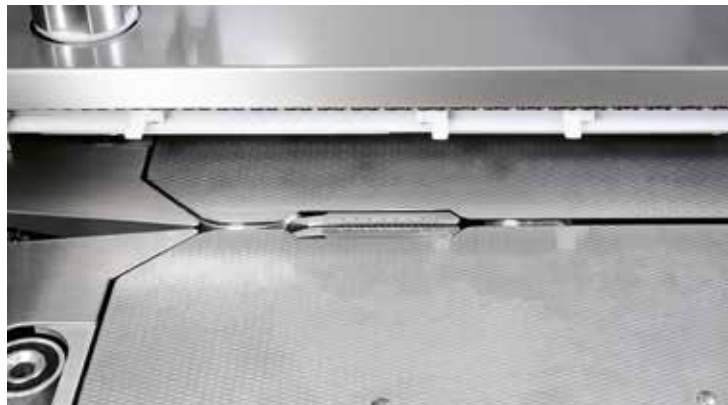
Driven film unwind roller



Reel mounting prepared to accept a coding unit



2nd pair of heated rollers



Air suction system



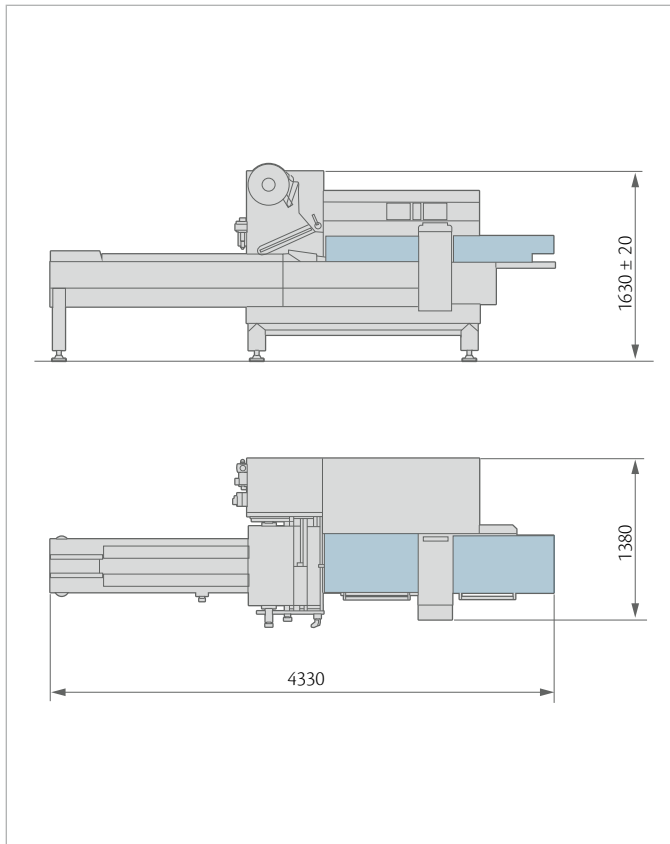
Overhead driven conveyor system



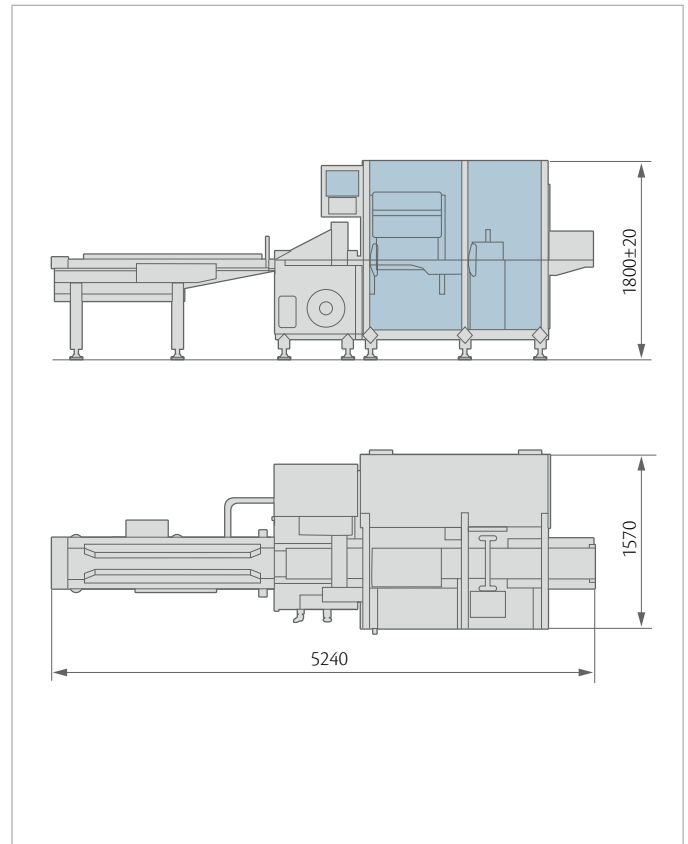
Orbital gusseting device

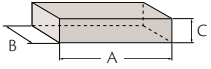
TECHNICAL DATA

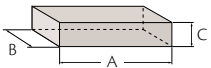
PANDA BS RS



PANDA TS LS



		Panda TS	
		Panda TS LS	Panda TS RS
Machine speed (ppm max.)		80	150
Product dimensions (mm max.) 	A	∞	750
	B	320 (370)	320
	C	160 (180)	70 (160)
Film width (mm max.)		730 (930)	730
Cut-off length (mm max.)		∞	850
Jaws width (mm max.)		350 (400)	350
Film linear speed (m/min.)		30	30

		Panda BS				
		Panda BS RS	Panda RS Large	Panda BS RS On Edge	Panda BS LS	Panda BS LS On Edge
Machine speed (ppm max.)		150 (300)	120	130	80	60
Product dimensions (mm max.) 	A	750	750	300	850	300
	B	280	355	130 (180)	320 (370)	150
	C	120 (180)	120 (180)	80 (110)	160 (180)	160 (180)
Film width (mm max.)		730	930	730 (930)	730 (930)	730
Cut-off length (mm max.)		850	850	400	950	400
Jaws width (mm max.)		350 (170)	450	170 (250)	350 (400)	170
Film linear speed (m/min.)		50	50	50	50	50

Production output is subjected to the film quality and product characteristics.



IMA RECORD S.p.A

Via Italia, 46 - 23846 Garbagnate Monastero (Lecco) - Italy

Tel. +39 031 850607

info.record@ima.it - www.record.it